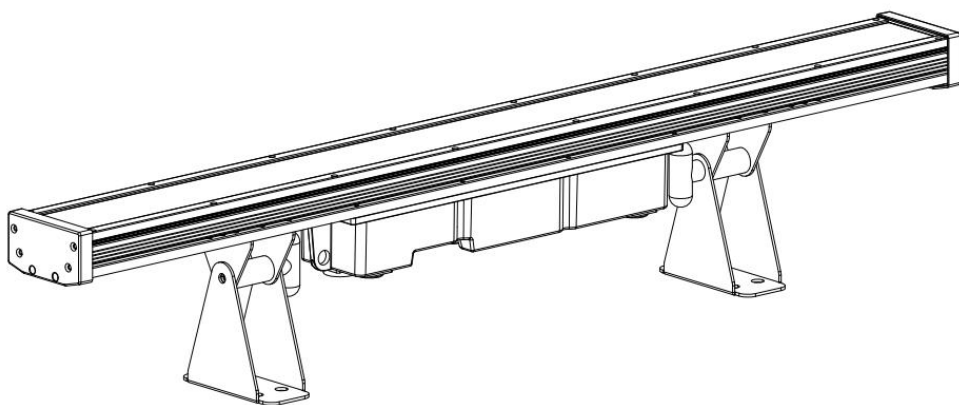


PixStrobe IP65

IP65 Wash Bar with Side Effect



User manual

Please read the instructions carefully before use

TABLE OF CONTENTS

1. Safety Instructions	3-4
2. Technical Specifications	5
3. LUX Data	6
4. How To Control The Unit	6-8
5. DMX Channel List.....	8-23
6. Shape.....	24
7. Trouble shooting	25
8. Fixture Cleaning	26

statement

The product has well capability and intact packing when leave factory. All of the user should comply with warning item and manual, any misuse cause of the damages are not included in our guarantee, and also can not be responsible for any malfunction & problem owing to ignore the manual.

1. Safety Instructions

Please keep this User Guide for future consultation. If you sell the unit to another user, be sure that they also receive this instruction booklet.

Unpack and check carefully there is no transportation damage before using the unit.

Before operating, ensure that the voltage and frequency of power supply match the power requirements of the unit.

It's important to ground the yellow/green conductor to earth in order to avoid electric shock.

The unit is for outdoor use.

The unit must be installed in a location with adequate ventilation, at least 50cm from adjacent surfaces. Be sure that no ventilation slots are blocked.

Disconnect main power before replacement or servicing.

Make sure there are no flammable materials close to the unit while operating as it is fire hazard.

Use safety cable when fixes this unit. DO NOT handle the unit by taking its head only, but always by taking its base.

Maximum ambient temperature is T_a : 40°C. DO NOT operate it where the temperature is higher than this Unit surface temperature may reach up to 85°C. DO NOT touch the housing bare-hand during its operation. Turn off the power and allow about 15 minutes for the unit to cool down before replacing or serving.

the event of serious operating problem, stop using the unit immediately. Never

try to repair the unit by yourself. Repairs carried out by unskilled people can lead to damage or malfunction. Please contact the nearest authorized technical assistance center. Always use the same type spare parts.

⚠ DO NOT touch any wire during operation as high voltage might be causing electric shock.

Warning:

⚠ To prevent or reduce the risk of electrical shock or fire, do not expose the unit to rain or moisture.

⚠ DO NOT open the unit within five minutes after switching off.

⚠ The housing, the lenses, or the ultraviolet filter must be replaced if they are visibly damaged.

Caution:

There are no user serviceable parts inside the unit. DO NOT open the housing or attempt any repairs yourself. In the unlikely event your unit may require service, please contact your nearest dealer.

Installation:

The unit should be mounted via its screw holes on the bracket. Always ensure that the unit is firmly fixed to avoid vibration and slipping while operating. And make sure that the structure to which you are attaching the unit is secure and is able to support a weight of 10 times of the unit's weight. Also always use a safety cable that can hold 12 times of the weight of the unit when installing the fixture.

The equipment must be fixed by professionals. And it must be fixed at a place where is out of the touch of people.

2. Technical Specifications

Light Source: Middle:12*8W RGBS 4in1 LED +48*1W White LED;

Both sides:288*1W RGBA 4in1 LED

Beam Angle:20°

Power Consumption:205W ± 5%; Strobe Consumption:350W

Power Voltage: AC 100-240V, 50/60Hz

Control

DMX Channel:20/27/35/156CH

Control Modes: DMX512/Auto Run/Music

Construction

Display:180° reversible TFT Display

Data In/Out socket: 3-pin XLR sockets

Power Socket: Waterproof Powercon in/out

Protection Rating: IP65

Net Weight:5.7kgs

Dimension:999.6 × 95 × 188mm

Package:105*14.5*17.5cm

Features

Full light range dimming, 256 levels of dimming accuracy; fast strobe 1~25Hz;

Single control of 8W LED in the middle,

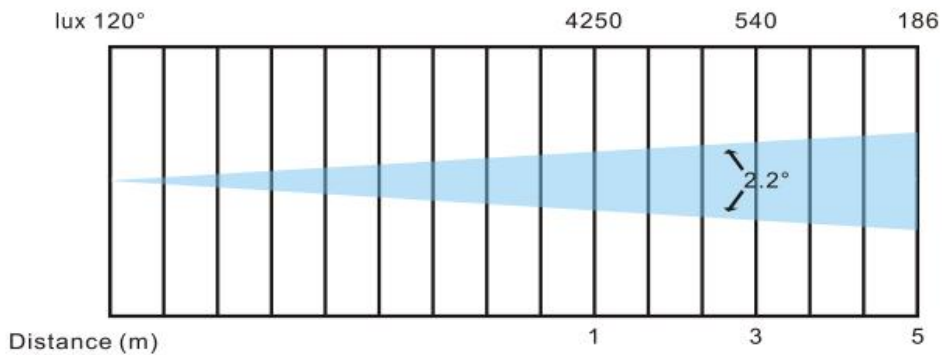
white light is divided into 12 sections for control, and both sides are divided into 24 sections for control;

It integrates wash, beam and strobe 3in1 effect;

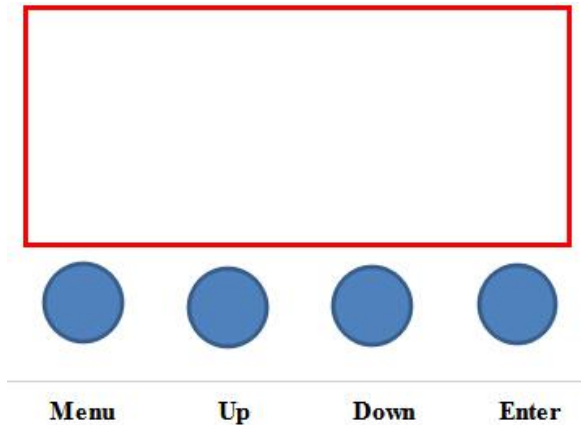
Preset multiple effects macro functions

3.Lux Date

Beam Angle = 120°



4. Display & Menu



Display:

MENU	To select the programming functions
DOWN	To go backward in the selected functions
UP	To go forward in the selected functions
ENTER	To confirm the selected functions

Set DMX Address Code

- 1 Press "**Menu**" to "Set DMX Address",and press"**ENTER**" keys to enter into
- 2 Show "Set DMX Address DMX Address:**001**",Press the "**UP and DOWN**" keys to amended
- 3 Press "**ENTER**"keys to save and Exit,Press the"**MENU**"Keys does not save and Exit

Meun	Mic Sense	001 - 100		Sound sensitivity adjustment
	Language	1.English 2.Chinese		Choose language
	No Signal	1.BlackOut 2.Hold		
	Default	1.Yes 2.No		Reset
Address	001 - 512			Setting from 001 - 512
Reverse	Display	1.Yes 2.No		Forward or reversed setting
Inform	1.CH Value			Each channel show CH value
	2.Temp ____ °C			Show the temperature of led board
	3.Soft V.XXX			Show the version number
Mode	1.DMX512			
	2.Auto	1.Master	Select master and slave	
		2.Alone		
	3.Sound	1.Master		
		2.Alone		
	1.Master	1.Red1: 0--255	Setting control mode	
		2.Greed1: 0--255		

	4.Manual		3.Blue1: 0--255			
			4.White1: 0--255			
			5.LED1 Auto: 0--255			
			6.LED1 Auto Speed: 0--255			
			7.White2: 0--255			
			8.LED2 Auto:0--255			
			9.LED2 Auto Speed:0--255			
			10.Red3: 0--255			
	2.Alone	11.Greed3: 0--255				
		12.Blue3: 0--255				
		13.White3: 0--255				
		14.LED3 Auto:0--255				
		15.LED3 Auto Speed:0--255				
		16.Strobe: 0-255				
		Channel	1.22Channels			Choose channel
			2.29Channels			
3.37Channels						
4.156Channels						

5.DMX Channel List

Model 1 - CH22

Channel	Display		Function	Value
CH-1	Dimming		Linear dimmer from dark to bright	0 --- 255
CH-2	Strobe		Light up	0--3
			Synchronous strobe speed from slow to fast (1HZ-25HZ)	4--203
			Random strobe	204--255
CH-3	Middle 8W led	R dimming	Linear dimmer from dark to bright	0--255
CH-4		G dimming	Linear dimmer from dark to bright	0--255
CH-5		B dimming	Linear dimmer from dark to bright	0--255
CH-6		S dimming	Linear dimmer from dark to bright	0--255
CH-7		Macro color	No funtion	0--9
			Macro color	10--255
		Dynamic	No funtion	0--9

CH-8		pattern	Dynamic pattern 1	10--14
			Dynamic pattern 2	15--19
		 (5 numbers and one type)
			Dynamic pattern 35	180--184
			Dynamic pattern 36	185--189
			Reserve	190--255
CH-9		Pattern translation (with 8 CH)	Choose pattern background	0--255
CH-10		pattern auto speed (with 8 CH)	No function	0--9
			Go forward from fast to slow	10--132
			Go backward from slow to fast	133--255
CH-11	Middle 1W led	W dimming	Linear dimmer from dark to bright	0--255
CH-12		Dynamic	No function	0--9

		pattern	Dynamic pattern 1	10--14
			Dynamic pattern 2	15--19
		 (5 numbers and one type)
			Dynamic pattern 27	140--144
			Dynamic pattern 28	145--149
			Reserve	150--255
CH-13		Pattern translation (with 12 CH)	Choose pattern background	0--255
CH-14		pattern auto speed (with 12CH)	No function	0--9
			Go forward from fast to slow	10--132
			Go backward from slow to fast	133--255
CH-15	Both sides	R dimming	Linear dimmer from dark to bright	0--255

CH-16	1W led	G dimming	Linear dimmer from dark to bright	0--255
CH-17		B dimming	Linear dimmer from dark to bright	0--255
CH-18		A dimming	Linear dimmer from dark to bright	0--255
CH-19		Macro color	No funtion	0--9
			Macro color	10--255
CH-20		Dynamic pattern	No funtion	0--9
			Dynamic pattern 1	10--11
			Dynamic pattern 2	12--13
 (2 numbers and one type)	
	Dynamic pattern 69		146--147	
	Dynamic pattern 70		148--149	
CH-21	Pattern	Reserve	150--255	
		Choose pattern background	0--255	

		translation (with 20 CH)		
CH-22		pattern	No function	0--9
		auto speed (with 20CH)	Go forward from fast to slow	10--132
			Go backward from slow to fast	133--255

Model 2 - CH29

Channel	Display		Function	Value
CH-1	Dimming		Linear dimmer from dark to bright	0 --- 255
CH-2	Strobe		Light up	0--3
			Synchronous strobe speed from slow to fast (1HZ-25HZ)	4--203
			Random strobe	204--255
CH-3		Dimming	Linear dimmer from dark to bright	0--255
CH-4	Middle 8W led	Strobe	Light up	0--3
			Synchronous strobe speed from slow to fast (1HZ-25HZ)	4--203
			Random strobe	204--255
CH-5		R dimming	Linear dimmer from dark to bright	0--255
CH-6		G dimming	Linear dimmer from dark to bright	0--255
CH-7		B dimming	Linear dimmer from dark to bright	0--255

CH-8		S dimming	Linear dimmer from dark to bright	0--255
CH-9		Macro color	No function	0--9
			Macro color	10--255
CH-10		Dynamic pattern	No function	0--9
			Dynamic pattern 1	10--14
			Dynamic pattern 2	15--19
		 (5 numbers and one type)
			Dynamic pattern 35	180--184
			Dynamic pattern 36	185--189
CH-11		Pattern translation (with10CH)	Reserve	190--255
			Choose pattern background	0--255

CH-12		pattern	No funtion	0--9
		auto speed (with10CH)	Go forward from fast to slow	10--132
			Go backward from slow to fast	133--255
CH-13	Middle 1W led	Dimming	Linear dimmer from dark to bright	0--255
CH-14		Strobe	Light up	0--3
			Synchronous strobe speed from slow to fast (1HZ-25HZ)	4--203
			Random strobe	204--255
CH-15		W dimming	Linear dimmer from dark to bright	0--255
CH-16	Dynamic pattern	No funtion	0--9	
		Dynamic pattern 1	10--14	
		Dynamic pattern 2	15--19	
	 (5 numbers and one type)	

			Dynamic pattern 27	140--144
			Dynamic pattern 28	145--149
			Reserve	150--255
CH-17		Pattern translation (with 16 CH)	Choose pattern background	0--255
CH-18		pattern auto speed (with 16CH)	No funtion	0--9
			Go forward from fast to slow	10--132
			Go backward from slow to fast	133--255
CH-19	Both sides 1W led	Dimming	Linear dimmer from dark to bright	0--255
CH-20		Strobe	Light up	0--3
			Synchronous strobe speed from slow to fast (1HZ-25HZ)	4--203
			Random strobe	204--255
CH-21		R dimming	Linear dimmer from dark to bright	0--255

CH-22		G dimming	Linear dimmer from dark to bright	0--255
CH-23		B dimming	Linear dimmer from dark to bright	0--255
CH-24		A dimming	Linear dimmer from dark to bright	0--255
CH-25		Macro color	No function	0--9
			Macro color	10--255
CH-26		Dynamic pattern	No function	0--9
			Dynamic pattern 1	10--11
	Dynamic pattern 2		12--13	
 (2 numbers and one type)	
	Dynamic pattern 69		146--147	
	Dynamic pattern 70		148--149	
	Reserve	150--255		

CH-27		Pattern translation (with 26CH)	Choose pattern background	0--255
CH-28		pattern auto speed (with 26CH)	No function	0--9
			Go forward from fast to slow	10--132
			Go backward from slow to fast	133--255
CH-29	Dimming mode		No function	0----49
			Smoothly dimming	50----255

Model 3 - CH37

Channel	Display	Function	Value
---------	---------	----------	-------

CH-1		Dimming	Linear dimmer from dark to bright	0 --- 255
CH-2		Strobe	Light up	0--3
			Synchronous strobe speed from slow to fast (1HZ-25HZ)	4--203
			Random strobe	204--255
CH-3		Dimming	Linear dimmer from dark to bright	0--255
CH-4	Middle 8W led	Strobe	Light up	0--3
			Synchronous strobe speed from slow to fast (1HZ-25HZ)	4--203
			Random strobe	204--255
CH-5		R dimming	Linear dimmer from dark to bright	0--255
CH-6		G dimming	Linear dimmer from dark to bright	0--255
CH-7		B dimming	Linear dimmer from dark to bright	0--255
CH-8		S dimming	Linear dimmer from dark to bright	0--255

CH-9		Macro color	No funtion	0--9
			Macro color	10--255
CH-10		Dynamic pattern	No funtion	0--9
			Dynamic pattern 1	10--14
			Dynamic pattern 2	15--19
		 (5 numbers and one type)
			Dynamic pattern 35	180--184
			Dynamic pattern 36	185--189
			Reserve	190--255
CH-11		Pattern translation (with10CH)	Choose pattern background	0--255
CH-12	pattern auto speed	No funtion	0--9	
		Go forward from fast to slow	10--132	

		(with10CH)	Go backward from slow to fast	133--255
CH-13		Background R(with10 CH)	From dark to bright	0----255
CH-14		Background G(with10 CH)	From dark to bright	0----255
CH-15		Background B(with10 CH)	From dark to bright	0----255
CH-16		Background W(with10 CH)	From dark to bright	0----255
CH-17		Middle 1W	Dimming	Linear dimmer from dark to bright
CH-18	led	Strobe	Light up	0--3
			Synchronous strobe speed from slow to fast (1HZ-25HZ)	4--203
			Random strobe	204--255
CH-19		W dimming	Linear dimmer from dark to bright	0--255
CH-20		Dynamic	No funtion	0--9

		pattern	Dynamic pattern 1	10--14
			Dynamic pattern 2	15--19
		 (5 numbers and one type)
			Dynamic pattern 27	140--144
			Dynamic pattern 28	145--149
			Reserve	150--255
CH-21			Pattern translation (with 16 CH)	Choose pattern background
CH-22		pattern auto speed (with 16CH)	No function	0--9
			Go forward from fast to slow	10--132
			Go backward from slow to fast	133--255
CH-23	Both sides	Dimming	Linear dimmer from dark to bright	0--255

CH-24	1W led	Strobe	Light up	0--3
			Synchronous strobe speed from slow to fast (1HZ-25HZ)	4--203
			Random strobe	204--255
CH-25	1W led	R dimming	Linear dimmer from dark to bright	0--255
CH-26		G dimming	Linear dimmer from dark to bright	0--255
CH-27		B dimming	Linear dimmer from dark to bright	0--255
CH-28		A dimming	Linear dimmer from dark to bright	0--255
CH-29		Macro color	No funtion	0--9
			Macro color	10--255
CH-30		Dynamic pattern	No funtion	0--9
	Dynamic pattern 1		10--11	
	Dynamic pattern 2		12--13	
 (2	

				numbers and one type)
			Dynamic pattern 69	146--147
			Dynamic pattern 70	148--149
			Reserve	150--255
CH-31		Pattern translation (with30CH)	Choose pattern background	0--255
CH-32		pattern auto speed (with 30CH)	No funtion	0--9
			Go forward from fast to slow	10--132
			Go backward from slow to fast	133--255
CH-33		Background R(with30 CH)	From dark to bright	0----255
CH-34		Background G(with30 CH)	From dark to bright	0----255
CH-35		Background	From dark to bright	0----255

		B(with30 CH)		
CH-36		Background W(with30 CH)	From dark to bright	0----255
CH-37	Dimming mode		No funtion	0----49
			Smoothly dimming	50----255

Model 4 - CH156

Channel	Display		Function	Value
CH-1	Middle 8W led	R1dimming	Linear dimmer from dark to bright	0--255
CH-2		G1dimming	Linear dimmer from dark to bright	0--255
CH-3		B1dimming	Linear dimmer from dark to bright	0--255
CH-4		S1dimming	Linear dimmer from dark to bright	0--255
CH-5		R2dimming	Linear dimmer from dark to bright	0--255

CH-6		G2dimming	Linear dimmer from dark to bright	0--255
CH-7		B2dimming	Linear dimmer from dark to bright	0--255
CH-8		S2dimming	Linear dimmer from dark to bright	0--255
CH-9		R3dimming	Linear dimmer from dark to bright	0--255
CH-10		G3dimming	Linear dimmer from dark to bright	0--255
CH-11		B3dimming	Linear dimmer from dark to bright	0--255
CH-12		S3dimming	Linear dimmer from dark to bright	0--255
CH-13		R4dimming	Linear dimmer from dark to bright	0--255
CH-14		G4dimming	Linear dimmer from dark to bright	0--255
CH-15		B4dimming	Linear dimmer from dark to bright	0--255
CH-16		S4dimming	Linear dimmer from dark to bright	0--255

CH-17		R5dimming	Linear dimmer from dark to bright	0--255
CH-18		G5 dimming	Linear dimmer from dark to bright	0--255
CH-19		B5dimming	Linear dimmer from dark to bright	0--255
CH-20		S5dimming	Linear dimmer from dark to bright	0--255
CH-21		R6dimming	Linear dimmer from dark to bright	0--255
CH-22		G6dimming	Linear dimmer from dark to bright	0--255
CH-23		B6dimming	Linear dimmer from dark to bright	0--255
CH-24		S6dimming	Linear dimmer from dark to bright	0--255
CH-25		R7dimming	Linear dimmer from dark to bright	0--255
CH-26		G7dimming	Linear dimmer from dark to bright	0--255
CH-27		B7dimming	Linear dimmer from dark to bright	0--255

CH-28		S7dimming	Linear dimmer from dark to bright	0--255
CH-29		R8dimming	Linear dimmer from dark to bright	0--255
CH-30		G8dimming	Linear dimmer from dark to bright	0--255
CH-31		B8dimming	Linear dimmer from dark to bright	0--255
CH-32		S8dimming	Linear dimmer from dark to bright	0--255
CH-33		R9dimming	Linear dimmer from dark to bright	0--255
CH-34		G9dimming	Linear dimmer from dark to bright	0--255
CH-35		B9dimming	Linear dimmer from dark to bright	0--255
CH-36		S9dimming	Linear dimmer from dark to bright	0--255
CH-37		R10dimming	Linear dimmer from dark to bright	0--255
CH-38		G10dimming	Linear dimmer from dark to bright	0--255

CH-39		B10dimming	Linear dimmer from dark to bright	0--255
CH-40		S10dimming	Linear dimmer from dark to bright	0--255
CH-41		R11dimming	Linear dimmer from dark to bright	0--255
CH-42		G11dimming	Linear dimmer from dark to bright	0--255
CH-43		B11dimming	Linear dimmer from dark to bright	0--255
CH-44		S11dimming	Linear dimmer from dark to bright	0--255
CH-45		R12dimming	Linear dimmer from dark to bright	0--255
CH-46		G12dimming	Linear dimmer from dark to bright	0--255
CH-47		B12dimming	Linear dimmer from dark to bright	0--255
CH-48		S12dimming	Linear dimmer from dark to bright	0--255
CH-49	Middle 1W	W1dimming	Linear dimmer from dark to bright	0--255

CH-50	led	W2dimming	Linear dimmer from dark to bright	0--255
CH-51		W3dimming	Linear dimmer from dark to bright	0--255
CH-52		W4dimming	Linear dimmer from dark to bright	0--255
CH-53		W5dimming	Linear dimmer from dark to bright	0--255
CH-54		W6dimming	Linear dimmer from dark to bright	0--255
CH-55		W7dimming	Linear dimmer from dark to bright	0--255
CH-56		W8dimming	Linear dimmer from dark to bright	0--255
CH-57		W9dimming	Linear dimmer from dark to bright	0--255
CH-58		W10dimming	Linear dimmer from dark to bright	0--255
CH-59		W11dimming	Linear dimmer from dark to bright	0--255
CH-60		W12dimming	Linear dimmer from dark to bright	0--255

CH-61	Both sides 1W led	R1dimming	Linear dimmer from dark to bright	0--255
CH-62		G1dimming	Linear dimmer from dark to bright	0--255
CH-63		B1dimming	Linear dimmer from dark to bright	0--255
CH-64		A1dimming	Linear dimmer from dark to bright	0--255
CH-65		R2dimming	Linear dimmer from dark to bright	0--255
CH-66		G2dimming	Linear dimmer from dark to bright	0--255
CH-67		B2dimming	Linear dimmer from dark to bright	0--255
CH-68		A2dimming	Linear dimmer from dark to bright	0--255
CH-69		R3dimming	Linear dimmer from dark to bright	0--255
CH-70		G3dimming	Linear dimmer from dark to bright	0--255
CH-71		B3dimming	Linear dimmer from dark to bright	0--255

CH-72		A3dimming	Linear dimmer from dark to bright	0--255
CH-73		R4dimming	Linear dimmer from dark to bright	0--255
CH-74		G4dimming	Linear dimmer from dark to bright	0--255
CH-75		B4dimming	Linear dimmer from dark to bright	0--255
CH-76		A4dimming	Linear dimmer from dark to bright	0--255
CH-77		R5dimming	Linear dimmer from dark to bright	0--255
CH-78		G5dimming	Linear dimmer from dark to bright	0--255
CH-79		B5dimming	Linear dimmer from dark to bright	0--255
CH-80		A5dimming	Linear dimmer from dark to bright	0--255
CH-81		R6dimming	Linear dimmer from dark to bright	0--255
CH-82		G6dimming	Linear dimmer from dark to bright	0--255

CH-83		B6dimming	Linear dimmer from dark to bright	0--255
CH-84		A6dimming	Linear dimmer from dark to bright	0--255
CH-85		R7dimming	Linear dimmer from dark to bright	0--255
CH-86		G7dimming	Linear dimmer from dark to bright	0--255
CH-87		B7dimming	Linear dimmer from dark to bright	0--255
CH-88		A7dimming	Linear dimmer from dark to bright	0--255
CH-89		R8dimming	Linear dimmer from dark to bright	0--255
CH-90		G8dimming	Linear dimmer from dark to bright	0--255
CH-91		B8dimming	Linear dimmer from dark to bright	0--255
CH-92		A8dimming	Linear dimmer from dark to bright	0--255
CH-93		R9dimming	Linear dimmer from dark to bright	0--255

CH-94		G9dimming	Linear dimmer from dark to bright	0--255
CH-95		B9dimming	Linear dimmer from dark to bright	0--255
CH-96		A9dimming	Linear dimmer from dark to bright	0--255
CH-97		R10dimming	Linear dimmer from dark to bright	0--255
CH-98		G10dimming	Linear dimmer from dark to bright	0--255
CH-99		B10dimming	Linear dimmer from dark to bright	0--255
CH-100		A10dimming	Linear dimmer from dark to bright	0--255
CH-101		R11dimming	Linear dimmer from dark to bright	0--255
CH-102		G11dimming	Linear dimmer from dark to bright	0--255
CH-103		B11dimming	Linear dimmer from dark to bright	0--255
CH-104		A11dimming	Linear dimmer from dark to bright	0--255

CH-105		R12dimming	Linear dimmer from dark to bright	0--255
CH-106		G12dimming	Linear dimmer from dark to bright	0--255
CH-107		B12dimming	Linear dimmer from dark to bright	0--255
CH-108		A12dimming	Linear dimmer from dark to bright	0--255
CH-109		R13dimming	Linear dimmer from dark to bright	0--255
CH-110		G13dimming	Linear dimmer from dark to bright	0--255
CH-111		B13dimming	Linear dimmer from dark to bright	0--255
CH-112		A13dimming	Linear dimmer from dark to bright	0--255
CH-113		R14dimming	Linear dimmer from dark to bright	0--255
CH-114		G14dimming	Linear dimmer from dark to bright	0--255
CH-115		B14dimming	Linear dimmer from dark to bright	0--255

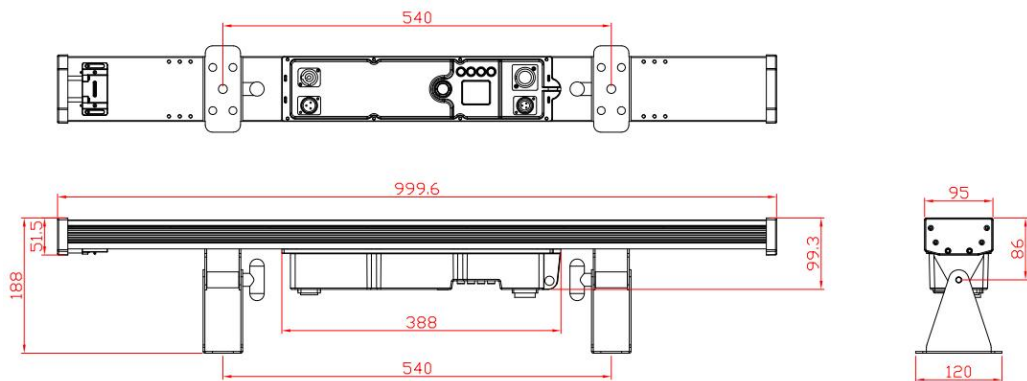
CH-116		A14dimming	Linear dimmer from dark to bright	0--255
CH-117		R15dimming	Linear dimmer from dark to bright	0--255
CH-118		G15dimming	Linear dimmer from dark to bright	0--255
CH-119		B15dimming	Linear dimmer from dark to bright	0--255
CH-120		A15dimming	Linear dimmer from dark to bright	0--255
CH-121		R16dimming	Linear dimmer from dark to bright	0--255
CH-122		G16dimming	Linear dimmer from dark to bright	0--255
CH-123		B16dimming	Linear dimmer from dark to bright	0--255
CH-124		A16dimming	Linear dimmer from dark to bright	0--255
CH-125		R17dimming	Linear dimmer from dark to bright	0--255
CH-126		G17dimming	Linear dimmer from dark to bright	0--255

CH-127		B17dimming	Linear dimmer from dark to bright	0--255
CH-128		A17dimming	Linear dimmer from dark to bright	0--255
CH-129		R18dimming	Linear dimmer from dark to bright	0--255
CH-130		G18dimming	Linear dimmer from dark to bright	0--255
CH-131		B18dimming	Linear dimmer from dark to bright	0--255
CH-132		A18dimming	Linear dimmer from dark to bright	0--255
CH-133		R19dimming	Linear dimmer from dark to bright	0--255
CH-134		G19dimming	Linear dimmer from dark to bright	0--255
CH-135		B19dimming	Linear dimmer from dark to bright	0--255
CH-136		A19dimming	Linear dimmer from dark to bright	0--255
CH-137		R20dimming	Linear dimmer from dark to bright	0--255

CH-138		G20dimming	Linear dimmer from dark to bright	0--255
CH-139		B20dimming	Linear dimmer from dark to bright	0--255
CH-140		A20dimming	Linear dimmer from dark to bright	0--255
CH-141		R21dimming	Linear dimmer from dark to bright	0--255
CH-142		G21dimming	Linear dimmer from dark to bright	0--255
CH-143		B21dimming	Linear dimmer from dark to bright	0--255
CH-144		A21dimming	Linear dimmer from dark to bright	0--255
CH-145		R22dimming	Linear dimmer from dark to bright	0--255
CH-146		G22dimming	Linear dimmer from dark to bright	0--255
CH-147		B22dimming	Linear dimmer from dark to bright	0--255
CH-148		A22dimming	Linear dimmer from dark to bright	0--255

CH-149		R23dimming	Linear dimmer from dark to bright	0--255
CH-150		G23dimming	Linear dimmer from dark to bright	0--255
CH-151		B23dimming	Linear dimmer from dark to bright	0--255
CH-152		A23dimming	Linear dimmer from dark to bright	0--255
CH-153		R24dimming	Linear dimmer from dark to bright	0--255
CH-154		G24dimming	Linear dimmer from dark to bright	0--255
CH-155		B24dimming	Linear dimmer from dark to bright	0--255
CH-156		A24dimming	Linear dimmer from dark to bright	0--255

6. Shape



7. Trouble shooting

Following are a few common problems that may occur during operation. Here are some suggestions for easy troubleshooting:

A. The unit does not work, no light and the fan does not work

1. Check the connection of power and main fuse.
2. Measure the mains voltage on the main connector.
3. Check the power on LED.

B. Not responding to DMX controller

1. DMX LED should be on. If not, check DMX connectors, cables to see if link properly.
2. If the DMX LED is on and no response to the channel, check the address settings and DMX polarity.

3. If you have intermittent DMX signal problems, check the pins on connectors or on PCB of the unit or the previous one.
4. Try to use another DMX controller.
5. Check if the DMX cables run near or run alongside to high voltage cables that may cause damage or interference to DMX interface circuit.

C. One of the channels is not working well

1. The stepper motor might be damaged or the cable connected to the PCB is broken.
2. The motor's drive IC on the PCB might be out of condition.

9. Fixture Cleaning

The cleaning of internal and external optical lenses and/or mirrors must be carried out periodically to optimize light output. Cleaning frequency depends on the environment in which the fixture operates: damp, smoky or particularly dirty surrounding can cause greater accumulation of dirt on the unit's optics.

- **Clean with soft cloth using normal glass cleaning fluid.**
- **Always dry the parts carefully.**
- **Clean the external optics at least every 20 days. Clean the internal optics at least every 30/60 days.**