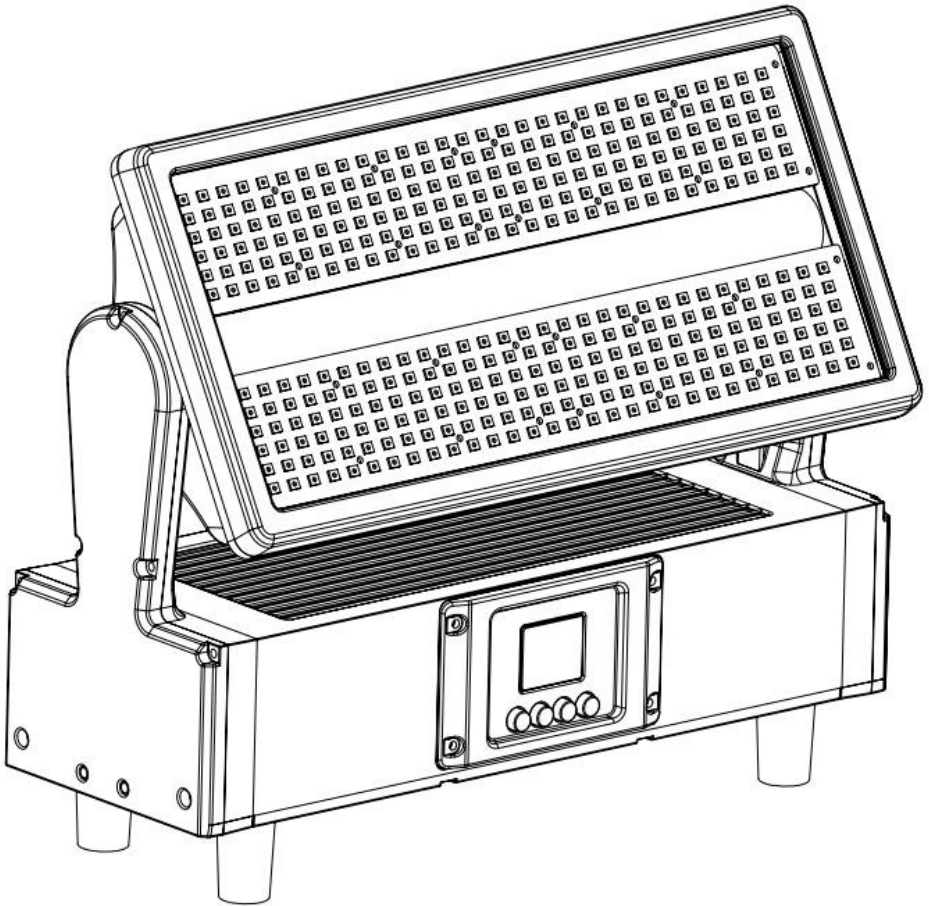


# Color Strobe T IP

---

## LED Moving Strobe Light



User manual

Please read the instructions carefully before use

# TABLE OF CONTENTS

1. Safety Instructions .....	3-4
2. Technical Specification .....	4-5
3. Lux Date.....	6
4. Display and Menu.....	6-8
5. DMX List .....	9-21
6. Product Size .....	21
7. Attention .....	22
8. Fixture Cleaning .....	22

## statement

Fixtures should be fastened on the hooks with screws. Make sure the installation is secure to prevent chattering and slipping during operation. Also make sure that the structure of the connected luminaire can support the luminaire 10 times the weight. At the same time, when installing the lamps, they also use a safety rope to support the weight of the lamps by 12 times.

The installation of the equipment should be carried out by professionals, and it should also be installed in places where people can't reach them casually or where no one is free to pass by.

# 1. Safety Instructions

Please keep this User Guide for future consultation. If you sell the unit to another user, be sure that they also receive this instruction booklet.

Please keep this User Guide for future consultation. If you sell the unit to another user, be sure that they also receive this instruction booklet.

- Unpack and check carefully there is no transportation damage before using the unit.
- Before operating, ensure that the voltage and frequency of power supply match the power requirements of the unit.
- It's important to ground the yellow/green conductor to earth in order to avoid electric shock.
- The unit is for outdoor use.
- The unit must be installed in a location with adequate ventilation, at least 50 cm from adjacent surfaces. Be sure that no ventilation slots are blocked.
- Disconnect main power before replacement or servicing.
- Make sure there are no flammable materials close to the unit while operating as it is fire hazard.
- Use safety cable when fixes this unit. Do not handle the unit by taking its head only, but always by taking its base.
- Maximum ambient temperature is  $T_a$ : 40 °C. Do not operate it where the temperature is higher than this Unit surface temperature may reach up to 85°C. Do not touch the housing bare-hand during its operation. Turn off the power and allow about 15 minutes for the unit to cool down before replacing or serving.
- the event of serious operating problem, stop using the unit immediately. Never try to repair the unit by yourself. Repairs carried out by unskilled people can lead to damage or malfunction. Please contact the nearest authorized technical assistance center. Always use the same type spare parts.

- Do not touch any wire during operation as high voltage might be causing electric shock.

### **Warning:**

- To prevent or reduce the risk of electrical shock or fire, do not expose the unit to rain or moisture.
- Do not open the unit within five minutes after switching off.
- The housing, the lenses, or the ultraviolet filter must be replaced if they are visibly damaged.

### **Caution:**

There are no user serviceable parts inside the unit. Do not open the housing or attempt any repairs yourself. In the unlikely event your unit may require service, please contact your nearest dealer.

### **Installation:**

The unit should be mounted via its screw holes on the bracket. Always ensure that the unit is firmly fixed to avoid vibration and slipping while operating. And make sure that the structure to which you are attaching the unit is secure and is able to support a weight of 10 times of the unit's weight. Also always use a safety cable that can hold 12 times of the weight of the unit when installing the fixture.

The equipment must be fixed by professionals. And it must be fixed at a place where is out of the touch of people.

## 2. Technical Specifications

**Light source:** Middle 24\*10W White LED+24\*8W RGBS 4in1 LED ; **Both**

**sides** 360\*1W RGBA 4in1

Lamp life: ≥50000 hours

Input voltage: AC100-240V ,50-60Hz

Full power :450W ± 5%,Power factor PF ≥0.95

Beam angle: 120°,Tempered glass + PMMA high quality optical light guider

Color system: W+RGBWW 4in1 +RGBW 4in1 LED

DMX Channel:24/31/39/82CH

Control Modes: DMX512/Master-Slave/Auto Run/Music/RDM

Dimension: 420mm × 163mm × 347mm;

NW: 12.7kg

### Tilt

Tilt:190°, accuracy 0.86°/step, fine-tuning accuracy: 0.0034°;

Adopt magnetic sensitive response reset system

Control and programming

### Construction

Menu display: 1.8-inch TFT color display; Chinese and English can be switched at will, and the font can be reversed 180° display;

Data In/Out socket: 3-pin sockets

Protection Rating: IP65

Working temperature: -10℃ ~45℃

### Effect configuration:

Full optical domain dimming, 65536-level dimming accuracy;

Fast strobe 1~25Hz;

Middle LED bead is divided into 6 areas to control;Both sides LED bead is divided into 12 areas to control.

It integrates wash, beam and strobe 3in1 effect;

### 3.Display and Menu:



---

1-MENU

2-UP

3-DOWN

4-ENTER

---

#### Display:

- MENU To select the programming functions
- DOWN To go backward in the selected functions
- UP To go forward in the selected functions
- ENTER To confirm the selected functions

#### Set DMX Address Code

- 1 Press **"Menu"** to "Set DMX Address", and press **"ENTER"** keys to enter into
- 2 Show "Set DMX Address DMX Address:001", Press the **"UP and DOWN"** keys to amended
- 3 Press **"ENTER"** keys to save and Exit, Press the **"MENU"** Keys does not save and Exit

Menu	1.MicSense	001 - 100	Sound sensitivity adjustment	
	2.Language	English	Chinese	
	3.No Signal	1. ( Black Out) 2.(Hold)		
	4.Fan Set	1.Auto 2.Low 3.High	Fan settings	
	5.Reset	Yes	No	
	6.Default	1.Yes 2.NO	Reset	
Address	Setting from 001 - 512			
Rever	Tilt Invert	1.YES 2.NO	Tilt forward and reverse settings	
	Display	1.YES 2.NO	Display font forward and reverse settings	
Information		1.CH Value	Each channel show CH value	
		2.Temp ____°C	Show the temperature of led board	
		3.Soft V1.0	Show the version number	
	DMX 512		Setting control mode	
	AUTO			
	SOUND			
	Maunal	Master/Alone		Master/Alone
		1.Tilt : 0--255		
		2.White 1 (Middle) : 0--255		
		3.LED1 Auto(Middle)		

Mode	Pattern ) :0--255		
	4.LED1 Auto Speed(Middle Pattern wahit color speed ) : 0--255		
	5.Red2(Middle) : 0--255		
	6.Greed2(Middle ) : 0--255		
	7.Blue2(Middle ) : 0--255		
	8.White2(Middle ) : 0--255		
	9.LED2 Auto ( Middle color pattern ) :0--255		
	10.LED2 Auto Speed(Middle color pattern speed) : 0--255		
	11.Red3(Both sides ) : 0--255		
	12.Greed3(Both sides ) : 0--255		
	13.Blue3(Both sides ) : 0--255		
	14.Amber3(Both sides ) : 0--255		
	15.LED3 Auto ( Both sides color pattern ) :0--255		
	16.LED3 Auto Speed(Both sides color pattern speed) : 0--255		
	17.Strobe : 0-255		
	Channel	1.26Channels	
		2.33Channels	
3.41Channels			
4.82Channels			



## 4.DMX Channel List

### Model1:CH26

Channel	Display		Function	Value
CH-1	Tilt		Tilt control	0--255
CH-2	Tilt fine-tuning		Tilt fine-tuning control	0--255
CH-3	Tilt speed		Speed from fast to slow	0--255
CH-4	Dimming		linear dimming from dark to bright	0--255
CH-5	Strobe		Light up	0--3
			Synchro strobe speed  From slow to fast (1HZ-25HZ)	4--203
			Random strobe	204--255
CH-6	Middle  10W	W dimming	White dimming	0--255
CH-7		Dynamic	No effect	0--9

	led	pattern	Dynamic pattern 1	10--14
			Dynamic pattern 2	15--19
			.....	..... (5 numbers and one type)
			Dynamic pattern 10	55--59
			Reserve	60--255
CH-8		Pattern translation (with 7 CH)	Choose pattern background	0--255
CH-9		pattern auto speed (with 7 CH)	No function	0--9
			Go forward from fast to slow	10--132
			Go backward from slow to fast	133--255
CH-10	Middle 8W led	R dimming	Linear dimmer from dark to bright	0--255

CH-11	G dimming	Linear dimmer from dark to bright	0--255
CH-12	B dimming	Linear dimmer from dark to bright	0--255
CH-13	WW dimming	Linear dimmer from dark to bright	0--255
CH-14	Macro color	No function	0--9
		Macro color	10--255
CH-15	Dynamic pattern	No effect	0--9
		Dynamic pattern 1	10--14
		Dynamic pattern 2	15--19
		.....	.....(5 numbers and one type)
		Dynamic pattern 10	105--109
		Reserve	110--255

CH-16		Pattern translation (with 15 CH)	Choose pattern background	0--255
CH-17		pattern auto speed (with 15 CH)	No function	0--9
			Go forward from fast to slow	10--132
			Go backward from slow to fast	133--255
CH-18	Both sides	R dimming	Linear dimmer from dark to bright	0--255
CH-19		G dimming	Linear dimmer from dark to bright	0--255
CH-20		B dimming	Linear dimmer from dark to bright	0--255
CH-21		A dimming	Linear dimmer from dark to bright	0--255
CH-22		Macro color	No function	0--9
			Macro color	10--255

CH-23	Dynamic pattern	No effect	0--9
		Dynamic pattern 1	10--12
		Dynamic pattern 2	13--15
		.....	..... (3 numbers and one type)
		Dynamic pattern 45	142--144
	Reserve	145--255	
CH-24	Pattern translation (with 23 CH)	Choose pattern background	0--255
CH-25	pattern auto speed (with 23 CH)	No funtion	0--9
		Go forward from fast to slow	10--132
		Go backward from slow to fast	133--255

CH-26	Reset	NO	0--250
		Reset within 5s	251--255

### Model 2: CH33

Channel	Display	Function	Value
CH-1	Tilt	Tilt control	0--255
CH-2	Tilt fine-tuning	Tilt fine-tuning control	0--255
CH-3	Tilt speed	Speed from fast to slow	0--255
CH-4	Dimming	linear dimming from dark to bright	0--255
CH-5	Strobe	Light up	0--3
		Synchro strobe speed From slow to fast (1HZ-25HZ)	4--203
		Random strobe	204--255

CH-6		Dimming	linear dimming from dark to bright	0--255
CH-7	Middle 10W led	Strobe	Light up	0--3
			Synchro strobe speed From slow to fast (1HZ-25HZ)	4--203
			Random strobe	204--255
CH-8	Middle 10W led	W dimming	White dimming	0--255
CH-9		Dynamic pattern	No effect	0--9
			Dynamic pattern 1	10--14
			Dynamic pattern 2	15--19
			.....	..... (5 numbers and one type)
Dynamic pattern 10	55--59			

			Reserve	60--255
CH-10		Pattern translation (with9 CH)	Choose pattern background	0--255
CH-11		pattern auto speed (with9 CH)	No funtion	0--9
			Go forward from fast to slow	10--132
			Go backward from slow to fast	133--255
CH-12		Dimming	linear dimming from dark to bright	0--255
CH-13	Middle 8W led	Strobe	Light up	0--3
			Synchro strobe speed From slow to fast (1HZ-25HZ)	4--203
			Random strobe	204--255
CH-14		R dimming	Linear dimmer from dark to bright	0--255
CH-15		G dimming	Linear dimmer from dark to	0--255



		bright	
CH-16	B dimming	Linear dimmer from dark to bright	0--255
CH-17	WW dimming	Linear dimmer from dark to bright	0--255
CH-18	Macro color	No funtion	0--9
		Macro color	10--255
CH-19	Dynamic pattern	No effect	0--9
		Dynamic pattern 1	10--14
		Dynamic pattern 2	15--19
		.....	.....(5 numbers and one type)
		Dynamic pattern20	105--109
		Reserve	110--255

CH-20		Pattern translation (with 19 CH)	Choose pattern background	0--255
CH-21		pattern auto speed (with 19 CH)	No function	0--9
			Go forward from fast to slow	10--132
			Go backward from slow to fast	133--255
CH-22	Both sides	Dimming	linear dimming from dark to bright	0--255
CH-23		Strobe	Light up	0--3
			Synchro strobe speed From slow to fast (1HZ-25HZ)	4--203
			Random strobe	204--255
CH-24		R dimming	Linear dimmer from dark to bright	0--255

CH-25	G dimming	Linear dimmer from dark to bright	0--255
CH-26	B dimming	Linear dimmer from dark to bright	0--255
CH-27	A dimming	Linear dimmer from dark to bright	0--255
CH-28	Macro color	No funtion	0--9
		Macro color	10--255
CH-29	Dynamic pattern	No effect	0--9
		Dynamic pattern 1	10--12
		Dynamic pattern 2	13--15
		.....	..... (3 numbers and one type)
		Dynamic pattern 45	142--144
		Reserve	145--255

CH-30	Pattern translation (with 29 CH)	Choose pattern background	0--255
CH-31	pattern auto speed (with 29 CH)	No funtion	0--9
		Go forward from fast to slow	10--132
		Go backward from slow to fast	133--255
CH-32	Dimming mode	No funtion	0----49
		Smooth dimming	50----255
CH-33	Reset	NO	0--250
		Reset within 5s	251--255

**Mode3:CH41**

<b>Channel</b>	<b>Display</b>		<b>Function</b>	<b>Value</b>
CH-1	Tilt		Tilt control	0--255
CH-2	Tilt fine-tuning		Tilt fine-tuning control	0--255
CH-3	Tilt speed		Speed from fast to slow	0--255
CH-4	Dimming		linear dimming from dark to bright	0--255
CH-5	Strobe		Light up	0--3
			Synchro strobe speed From slow to fast (1HZ-25HZ)	4--203
			Random strobe	204--255
CH-6		Dimming	linear dimming from dark to bright	0--255

CH-7	Middle 10W led	Strobe	Light up	0--3
			Synchro strobe speed From slow to fast (1HZ-25HZ)	4--203
			Random strobe	204--255
CH-8	Middle 10W led	W dimming	White dimming	0--255
CH-9		Dynamic pattern	No effect	0--9
			Dynamic pattern 1	10--14
			Dynamic pattern 2	15--19
			.....	..... (5 numbers and one type)
			Dynamic pattern 10	55--59
Reserve	60--255			

CH-10		Pattern translation (with9 CH)	Choose pattern background	0--255
CH-11		pattern auto speed (with9 CH)	No funtion	0--9
			Go forward from fast to slow	10--132
			Go backward from slow to fast	133--255
CH-12	Middle 8W led	Dimming	linear dimming from dark to bright	0--255
CH-13		Strobe	Light up	0--3
			Synchro strobe speed From slow to fast (1HZ-25HZ)	4--203
			Random strobe	204--255
CH-14		R dimming	Linear dimmer from	0--255

CH-15
CH-16
CH-17
CH-18
CH-19

	dark to bright	
G dimming	Linear dimmer from dark to bright	0--255
B dimming	Linear dimmer from dark to bright	0--255
WW dimming	Linear dimmer from dark to bright	0--255
Macro color	No funtion	0--9
	Macro color	10--255
Dynamic pattern	No effect	0--9
	Dynamic pattern 1	10--14
	Dynamic pattern 2	15--19
	.....	.....(5 numbers and one type)
	Dynamic pattern20	105--109



			Reserve	110--255
CH-20		Pattern translation (with 19 CH)	Choose pattern background	0--255
CH-21		pattern auto speed (with 19 CH)	No function	0--9
			Go forward from fast to slow	10--132
			Go backward from slow to fast	133--255
CH-22		Pattern background color R (with 19 CH)	From dark to bright	0----255
CH-23	Both sides	Pattern background color G (with 19 CH)	From dark to bright	0----255
CH-24		Pattern	From dark to bright	0----255

		background color B(with 19 CH)		
CH-25		Pattern background color WW(with 19 CH)	From dark to bright	0---255
CH-26		Dimming	linear dimming from dark to bright	0--255
CH-27		Strobe	Light up	0--3
			Synchro strobe speed From slow to fast (1HZ-25HZ)	4--203
			Random strobe	204--255
CH-28		R dimming	Linear dimmer from dark to bright	0--255
CH-29		G dimming	Linear dimmer from	0--255

CH-30
CH-31
CH-32
CH-33

	dark to bright	
B dimming	Linear dimmer from dark to bright	0--255
A dimming	Linear dimmer from dark to bright	0--255
Macro color	No funtion	0--9
	Macro color	10--255
Dynamic pattern	No effect	0--9
	Dynamic pattern 1	10--12
	Dynamic pattern 2	13--15
	.....	..... (3 numbers and one type)
	Dynamic pattern 45	142--144
	Reserve	145--255

CH-34		Pattern translation (with 33 CH)	Choose pattern background	0--255
CH-35		pattern auto speed (with 33 CH)	No funtion	0--9
			Go forward from fast to slow	10--132
			Go backward from slow to fast	133--255
CH-36	Both sides	Pattern background color R(with 19 CH)	From dark to bright	0----255
CH-37		Pattern background color G(with 19 CH)	From dark to bright	0----255
CH-38		Pattern background color B(with 19	From dark to bright	0----255

		CH)		
CH-39		Pattern background color WW(with 19 CH)	From dark to bright	0----255
CH-40	Dimming mode		No funtion	0----49
			Smooth dimming	50----255
CH-41	Reset		NO	0--250
			Reset within 5s	251--255

**Model4:CH82**

Channel	Display		Function	Value
CH-1	Tilt		Tilt control	0--255
CH-2	Tilt fine-tuning		Tilt fine-tuning control	0--255
CH-3	Tilt speed		Speed from fast to slow	0--255
CH-4	Reset		NO	0--250
			Reset within 5s	251--255
CH-5	Middle 10W led	W1 dimming	Linear dimmer from dark to bright	0--255
CH-6		W2 dimming	Linear dimmer from dark to bright	0--255
CH-7		W3 dimming	Linear dimmer from dark to bright	0--255
CH-8		W4 dimming	Linear dimmer from dark to bright	0--255
CH-9		W5	Linear dimmer from dark to	0--255

		dimming	bright	
CH-10		W6 dimming	Linear dimmer from dark to bright	0--255
CH-11	Middle 8W led	R1 dimming	Linear dimmer from dark to bright	0--255
CH-12		G1 dimming	Linear dimmer from dark to bright	0--255
CH-13		B1 dimming	Linear dimmer from dark to bright	0--255
CH-14		S1 dimming	Linear dimmer from dark to bright	0--255
CH-15		R2 dimming	Linear dimmer from dark to bright	0--255
CH-16		G2 dimming	Linear dimmer from dark to bright	0--255
CH-17		B2 dimming	Linear dimmer from dark to bright	0--255

CH-18	S2 dimming	Linear dimmer from dark to bright	0--255
CH-19	R3 dimming	Linear dimmer from dark to bright	0--255
CH-20	G3 dimming	Linear dimmer from dark to bright	0--255
CH-21	B3 dimming	Linear dimmer from dark to bright	0--255
CH-22	S3 dimming	Linear dimmer from dark to bright	0--255
CH-23	R4 dimming	Linear dimmer from dark to bright	0--255
CH-24	G4 dimming	Linear dimmer from dark to bright	0--255
CH-25	B4 dimming	Linear dimmer from dark to bright	0--255
CH-26	S4 dimming	Linear dimmer from dark to	0--255



			bright	
CH-27		R5 dimming	Linear dimmer from dark to bright	0--255
CH-28		G5 dimming	Linear dimmer from dark to bright	0--255
CH-29		B5 dimming	Linear dimmer from dark to bright	0--255
CH-30		S5 dimming	Linear dimmer from dark to bright	0--255
CH-31		R6 dimming	Linear dimmer from dark to bright	0--255
CH-32		G6 dimming	Linear dimmer from dark to bright	0--255
CH-33		B6 dimming	Linear dimmer from dark to bright	0--255
CH-34		S6 dimming	Linear dimmer from dark to bright	0--255

CH-35	Both sides 1W led	R1 dimming	Linear dimmer from dark to bright	0--255
CH-36		G1 dimming	Linear dimmer from dark to bright	0--255
CH-37		B1 dimming	Linear dimmer from dark to bright	0--255
CH-38		A1 dimming	Linear dimmer from dark to bright	0--255
CH-39		R2 dimming	Linear dimmer from dark to bright	0--255
CH-40		G2 dimming	Linear dimmer from dark to bright	0--255
CH-41		B2 dimming	Linear dimmer from dark to bright	0--255
CH-42		A2 dimming	Linear dimmer from dark to bright	0--255
CH-43		R3 dimming	Linear dimmer from dark to	0--255

			bright	
CH-44		G3 dimming	Linear dimmer from dark to bright	0--255
CH-45		B3 dimming	Linear dimmer from dark to bright	0--255
CH-46		A3 dimming	Linear dimmer from dark to bright	0--255
CH-47		R4 dimming	Linear dimmer from dark to bright	0--255
CH-48		G4 dimming	Linear dimmer from dark to bright	0--255
CH-49		B4 dimming	Linear dimmer from dark to bright	0--255
Ch-50		A4 dimming	Linear dimmer from dark to bright	0--255
CH-51		R5 dimming	Linear dimmer from dark to bright	0--255

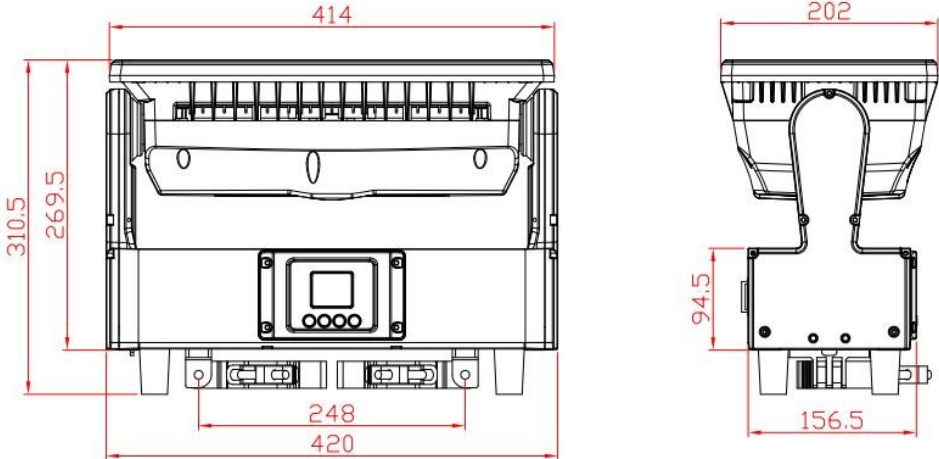
CH-52	G5 dimming	Linear dimmer from dark to bright	0--255
CH-53	B5 dimming	Linear dimmer from dark to bright	0--255
CH-54	A5 dimming	Linear dimmer from dark to bright	0--255
CH-55	R6 dimming	Linear dimmer from dark to bright	0--255
CH-56	G6 dimming	Linear dimmer from dark to bright	0--255
CH-57	B6 dimming	Linear dimmer from dark to bright	0--255
CH-58	A6 dimming	Linear dimmer from dark to bright	0--255
CH-59	R7 dimming	Linear dimmer from dark to bright	0--255
CH-60	G7 dimming	Linear dimmer from dark to	0--255

			bright	
CH-61		B7 dimming	Linear dimmer from dark to bright	0--255
CH-62		A7 dimming	Linear dimmer from dark to bright	0--255
CH-63		R8 dimming	Linear dimmer from dark to bright	0--255
CH-64		G8 dimming	Linear dimmer from dark to bright	0--255
CH-65		B8 dimming	Linear dimmer from dark to bright	0--255
CH-66		A8 dimming	Linear dimmer from dark to bright	0--255
CH-67		R9 dimming	Linear dimmer from dark to bright	0--255
CH-68		G9 dimming	Linear dimmer from dark to bright	0--255

CH-69	B9 dimming	Linear dimmer from dark to bright	0--255
CH-70	A9 dimming	Linear dimmer from dark to bright	0--255
CH-71	R10 dimming	Linear dimmer from dark to bright	0--255
CH-72	G10 dimming	Linear dimmer from dark to bright	0--255
CH-73	B10 dimming	Linear dimmer from dark to bright	0--255
CH-74	A10 dimming	Linear dimmer from dark to bright	0--255
CH-75	R11 dimming	Linear dimmer from dark to bright	0--255
CH-76	G11 dimming	Linear dimmer from dark to bright	0--255
CH-77	B11	Linear dimmer from dark to	0--255

		dimming	bright	
CH-78		A11 dimming	Linear dimmer from dark to bright	0--255
CH-79		R12 dimming	Linear dimmer from dark to bright	0--255
CH-80		G12 dimming	Linear dimmer from dark to bright	0--255
CH-81		B12 dimming	Linear dimmer from dark to bright	0--255
CH-82		A12 dimming	Linear dimmer from dark to bright	0--255

## 5. Products Size



## 6. Attention

1. When the lamp is lit after the lamp is powered on, the light emitted by the lamp bead should be avoided as much as possible.
2. When loading or unloading the lamp, be sure to cut off the main power supply connected to the device before you can open the cover on which the lamp bead is installed.

## 7. Fixture Cleaning

The outside of the lens must always be wiped so that the lighting effect is better. Wipe the frequency of the environment. Humidity, excessive smoke, and a particularly dirty environment can make the lens dusty.

- Use a soft cloth and special glass cleaner.
- Wipe the exterior of the lens at least every 30 days.
- Use vacuum cleaners or air guns inside the luminaire and clean it at least twice a year.