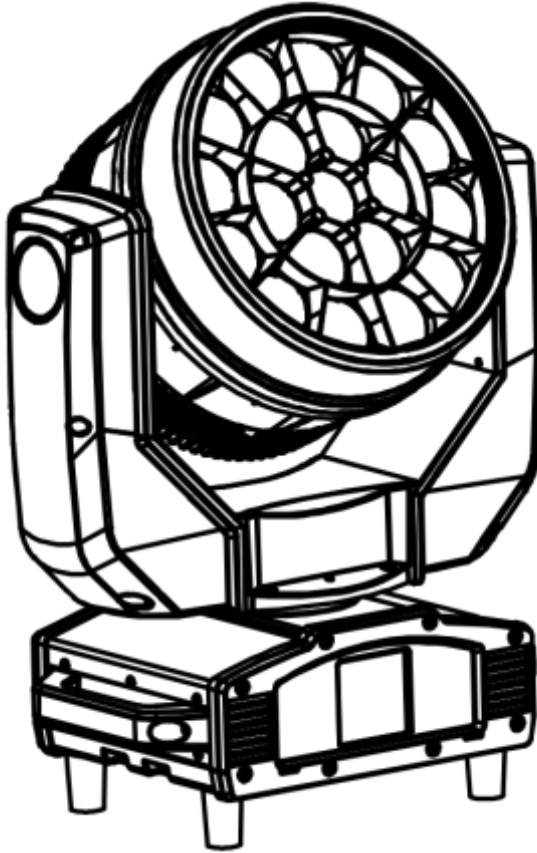


Z-Wash 1940 IP

IP65 19*40W Bee Eye Moving Head



User manual

Please read the instructions carefully before use

TABLE OF CONTENTS

1. Safety Instructions	3- 4
2. Technical Specifications.....	5
3. Lux Date.....	6
4. How To Control The Unit.....	7-9
5. DMX Channel List.....	10-38
6. Shape.....	39
7. Trouble shooting.....	41
8. Fixture Cleaning.....	42

statement

The product has well capability and intact packing when leave factory. All of the user should comply with warning item and manual, any misuse cause of the damages are not included in our guarantee, and also can't be responsible for any malfunction & problem owing to ignore the manual.

1. Safety Instructions

Please keep this User Guide for future consultation. If you sell the unit to another user, be sure that they also receive this instruction booklet.

- Unpack and check carefully there is no transportation damage before using the unit.
- Before operating, ensure that the voltage and frequency of power supply match the power requirements of the unit.
- It's important to ground the yellow/green conductor to earth in order to avoid electric shock.
- The unit is for indoor use only. Use only in a dry location.
- The unit must be installed in a location with adequate ventilation, at least 50 cm from adjacent surfaces. Be sure that no ventilation slots are blocked.
- Disconnect main power before replacement or servicing.
- Make sure there are no flammable materials close to the unit while operating as it is fire hazard.
- Use safety cable when fixes this unit. Do not handle the unit by taking its head only, but always by taking its base.
- Maximum ambient temperature is T_a : 40°C. Do not operate it where the temperature is higher than this Unit surface temperature may reach up to 85°C. Do not touch the housing bare-hand during its operation. Turn off the power and allow about 15 minutes for the unit to cool down before replacing or serving.
- the event of serious operating problem, stop using the unit immediately. Never try to repair the unit by yourself. Repairs carried out by unskilled people can lead to damage or malfunction. Please contact the nearest authorized technical assistance center. Always use the same type spare parts.
- Do not touch any wire during operation as high voltage might be causing electric shock.

Warning:

- To prevent or reduce the risk of electrical shock or fire, do not expose the unit to rain or moisture.
- Do not open the unit within five minutes after switching off.
- The housing, the lenses, or the ultraviolet filter must be replaced if they are visibly damaged.

Caution:

There are no user serviceable parts inside the unit. Do not open the housing or attempt any repairs yourself. In the unlikely event your unit may require service, please contact your nearest dealer.

Installation:

The unit should be mounted via its screw holes on the bracket. Always ensure that the unit is firmly fixed to avoid vibration and slipping while operating. And make sure that the structure to which you are attaching the unit is secure and is able to support a weight of 10 times of the unit's weight. Also always use a safety cable that can hold 12 times of the weight of the unit when installing the fixture.

The equipment must be fixed by professionals. And it must be fixed at a place where is out of the touch of people.

2. Technical Specifications

Light Sources

19*40W 4IN1 RGBW LED

Beam Angle:3.5°- 50°

Power Consumption: 640w

Power Voltage: AC 100-240V, 50/60Hz

Dimension: 434*532*298mm

Net Weight:22Kgs

Carton package 1in1 size: 56*42*64cm

Gross Weight: 25Kgs

Flight Case 1in2 size: 80*49.5*72cm

Gross Weight: 74Kgs

Control

DMX Channel:21/23/35/78/92/97/99 Channels

Control Modes: DMX512/master-Slave/Auto Run/Music

Pan/Tilt

Pan: 540°/ 360°, Tilt: 270°

Pan/Tilt Resolution: 8/16 bit

Construction

Display:180° reversible 1.8 inch TFT colorful display, Touch Button

Data In/Out socket: IP65 3-pin XLR sockets

Power Socket: IP65 Power Con in/out

Protection Rating: IP65

Features

LED single control, can display arrows, numbers, letters and patterns

High-efficiency optical system, wonderful flower effect plus zoom

Fan work speed auto adjustable with head temperature

Led temperature protection & Fan run speed automatic based on the head temperature.

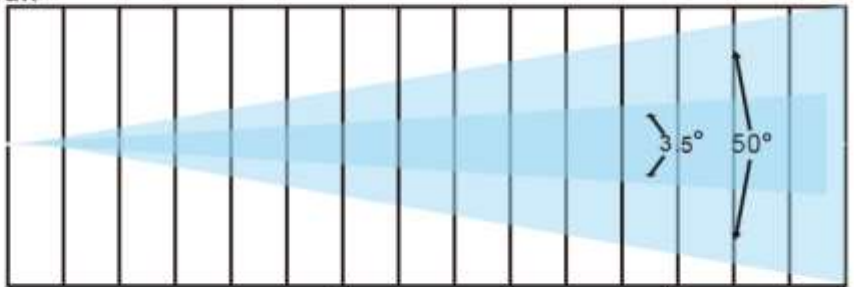
3 LUX Date

Beam Angle = 3.5°

R lux	25900	13500	6350	2530
G lux	57300	28000	13300	5510
B lux	10100	5100	2690	1020
W lux	70000	35700	19000	7060
4in1 lux	142000	73700	35000	14400

Beam Angle = 50°

R lux	10300	1000	412	163
G lux	22300	2140	907	382
B lux	4260	407	173	72
W lux	27700	2630	1100	456
4in1 lux	57300	5490	2320	744



Distance (m)

Spot diameter (m) 3.5°

Spot diameter (m) 45°

1

3

5

8

0.30

0.60

0.74

1.20

0.90

2.70

3.80

4. How To Control The Unit



Menu

Up

Down

Enter

Display:

MENU	To select the programming functions
DOWN	To go backward in the selected functions
UP	To go forward in the selected functions
ENTER	To confirm the selected functions

Set DMX Address Code

- 1 Press "**Menu**" to "Set DMX Address", and press "**ENTER**" keys to enter into
- 2 Show "Set DMX Address DMX Address:**001**", Press the "**UP and DOWN**" keys to amended
- 3 Press "**ENTER**" keys to save and Exit, Press the "**MENU**" Keys does not save and Exit

Menu	Pan Degree	1) 540 ° , 2)360°	X-axis running angle selection
	Mic Sense	001 - 100	Sound sensitivity adjustment

Language	English	Chinese	
No Signal	1.Black Out 2.Hold	Set the state when the machine has no signal input	
Fan Set	1.Auto 2. Low 3.High	Set fan speed	
Reset	Yes	No	
Default	Yes	No	
Adjust	Pass Word: ****		
	Pan	0 - 255	
	Tilt	0 - 255	
	Focus	0 - 255	
	Rota	0 - 255	
	Red	0 - 255	
	Green	0 - 255	
	Blue	0 - 255	
	White	0 - 255	
Address	Setting from 001 - 512		
Reverse	Forward or reversed setting	Pan	1.Yes
			2.No
		Tilt	1.Yes
			2.No
		Display	1.Yes
			2.No
Information	1.CH Value	Each channel show CH value	
	2.Temp ____°C	Show the temperature of led	

		board
Information	3.Soft V.XXX	Show the version number
Channel	21 channels	
	23 channels	
	35 channels	
	78 channels	
	92 channels	
	97 channels	
	99channels	
Mode	DMX 512	
	AUTO	
	SOUND	
Manual	Master	Pan: 0--255
		Tilt:0--255
		Focus:0--255
		Rota:0-255
		Red: 0--255
	Alone	Greed: 0--255
		Blue: 0--255
		White: 0--255
Strobe: 0-255		
Manual Control		

5.DMX Channel List

Model 1 - CH21

Channel	Display	Function	Value
CH-1	Red	Red dimming	0 --- 255
CH-2	Red adjustment	Red adjustment	0 --- 255
CH-3	Green	Green dimming	0 --- 255
CH-4	Green adjustment	Green adjustment	0 --- 255
CH-5	Blue	Blue dimming	0 --- 255
CH-6	Blue adjustment	Blue dimming	0 --- 255
CH-7	White	White dimming	0 --- 255
CH-8	White adjustment	White adjustment	0 --- 255
CH-9	Color temperature	No	0--15
		R100%,G UP,B0%	16--35
		R DOWM,G100%,B0%	36--55
		R0%,G100%,B UP	56--75
		R0%,G DOWM,B100%	76--95

CH-9	Color temperature	R UP,G0%,B100%	96--115
		R100%,G0%,B DOWM	116--135
		R100%,G UP,B UP	136--155
		R DOWM,G DOWM, B 100%	156--175
		R100%G100%B100%W100%	176--195
		2800K	196--200
		3200K	201--205
		3500K	206--210
		4000K	211--215
		4500K	216--220
		5000K	221--225
		5500K	226--230
		6000K	231--235
		6500K	236--240
		7000K	241--245
		7500K	246--250
		8000K	251--255
	No	0--9	

CH-10	Macro color	Macro color 1	10--19
CH-10	Macro color	Macro color 2	20--29
	 (10 numbers 1 macro color)
		Macro color 24	240--249
		Macro color 25	250--255
CH-11	Strobe	Turn on the light	0---3
		Synchro strobe speed slow to fast (1HZ-25HZ)	4---203
		Random strobe	204--255
CH-12	Dimmer	dark to bright linear dimming	0 --- 255
CH-13	Dimmer adjust	Dimmer adjustment control	0 --- 255
CH-14	Pan	Pan control	0 --- 255
CH-15	Pan adjustment	Pan adjustment control	0 --- 255
CH-16	Tilt	Tilt control	0 --- 255
CH-17	Tilt adjustment	Tilt adjustment control	0 --- 255
CH-18	Dimming Mode	Mode -1	0 --- 49
		Mode -2	50 --- 99
		Mode -3	100---149
		Mode -4	150---255
		NO	0-250

CH-19	Reset	Reset within 5s	251---255
CH-20	Zoom	Zoom	0-255
CH-21	Lens rotation	0~60°	0-155
		Clockwise infinite rotation	156-205
		Counterclockwise rotation	206-255

Model 2 - CH23

Channel	Display	Function	Value
CH-1	Pan	0-540°	0 --- 255
CH-2	Pan adjustment	16bit adjustment	0 --- 255
CH-3	Tilt	0-205°	0 --- 255
CH-4	Tilt adjustment	16bit adjustment	0 --- 255
CH-5	Pan/Tilt speed	Speed from fast to slow	0 --- 255
CH-6	Zoom	Angle from small to large	0 --- 255
CH-7	Lens rotation	0~60°	0-155
		Clockwise infinite rotation from fast to slow	156-205
		Counterclockwise rotation from slow to fast	206-255
CH-8	Dimmer	dark to bright linear dimming	0 --- 255

CH-9	Strobe	Turn on the light	0---3
CH-9		Synchro strobe speed	4---203
		From slow to fast (1HZ-25HZ)	
		Random strobe	204--255
CH-10	R dimming	dark to bright linear dimming	0-255
CH-11	G dimming	dark to bright linear dimming	0-255
CH-12	B dimming	dark to bright linear dimming	0-255
CH-13	W dimming	dark to bright linear dimming	0-255
CH-14	Color temperature	No	0 ---15
		R100%,G UP,B0%	16---35
		R DOWM,G100%,B0%	36---55
		R0%,G100%,B UP	56---75
		R0%,G DOWM,B100%	76---95
		R UP,G0%,B100%	96---115
		R100%,G0%,B DOWM	116---135
		R100%,G UP,B UP	136---155
		R DOWM,G DOWM, B 100%	156---175

CH-14	Color temperature	R100%,G100%,B100%,W100%	176---195
		2800K	196---200
		3200K	201---205
		3500K	206---210
		4000K	211---215
		4500K	216---220
		5000K	221---225
		5500K	226--230
		6000K	231--235
		6500K	236--240
		7000K	241--245
		7500K	246--250
		8000K	251--255
CH-15	Macro color	No	0--9
		Macro color 1	10--19
		Macro color 2	20--29
	(10 numbers 1 macro color)
		Macro color 24	240--249
		Macro color 25	250--255
		No	0--9

CH-16	Static pattern	Monochrome pattern 1	10--12
		Monochrome pattern 2	13--15
	(3 numbers 1 pattern)
		Monochrome pattern 67	208--210
		Mixed color pattern 1	211--213
CH-16	Static pattern	Mixed color pattern 2	214--216
	(3 numbers 1 pattern)
		Mixed color pattern 14	250--252
		Mixed color pattern 15	253--255
CH-17	Dynamic pattern	NO	0--9
		Monochrome dynamic pattern 1	10--14
		Monochrome dynamic pattern 2	15--19
	(5 numbers 1 pattern)
		Monochrome pattern 30	155--159
		Mixed color dynamic pattern 1	160--164
		Mixed color dynamic pattern 2	165--169
	(5 numbers 1 pattern)
		Mixed color dynamic pattern 13	220--224
		Mixed color dynamic pattern 14	225--255
	Dynamic pattern speed	Forward, from fast to slow (with 17CH)	0--127

CH-18		Reverse, from slow to fast(with 17CH)	128--255
CH-19	Back color R	dark to bright linear dimming	0-255
CH-20	Back color G	dark to bright linear dimming	0-255
CH-21	Back color B	dark to bright linear dimming	0-255
CH-22	Back color W	dark to bright linear dimming	0-255
CH-23	Reset	NO	0-250
		Reset within 5s	251-255

Model 3 - CH35

Channel	Display	Function	Value
CH-1	Red	Red dimming	0 --- 255
CH-2	Red adjustment	Red adjustment	0 --- 255
CH-3	Green	Green dimming	0 --- 255
CH-4	Green adjustment	Green adjustment	0 --- 255
CH-5	Blue	Blue dimming	0 --- 255
CH-6	Blue adjustment	Blue dimming	0 --- 255
CH-7	White	White dimming	0 --- 255

CH-8	White adjustment	White adjustment	0 --- 255
CH-9	Color temperature	No	0 ---15
		R100%,G UP,B0%	16---35
		R DOWM,G100%,B0%	36---55
		R0%,G100%,B UP	56---75
		R0%,G DOWM,B100%	76---95
		R UP,G0%,B100%	96---115
		R100%,G0%,B DOWM	116--135
		R100%,G UP,B UP	136---155
		R DOWM,G DOWM, B 100%	156---175
		R100%G100%B100%W100%	176---195
CH-9	Color temperature	2800K	196---200
		3200K	201---205
		3500K	206---210
		4000K	211---215
		4500K	216---220
		5000K	221---225

		5500K	226--230
		6000K	231--235
		6500K	236--240
		7000K	241--245
		7500K	246--250
		8000K	251--255
CH-10	Macro color	No	0--9
		Macro color 1	10--19
		Macro color 2	20--29
	(10 numbers 1 macro color)
		Macro color 24	240--249
		Macro color 25	250--255
CH-11	Strobe	Turn on the light	0---3
		Synchro strobe speed	
		From slow to fast (1HZ-25HZ)	4---203
		Random strobe	204--255
CH-12	Dimmer	dark to bright linear dimming	0 --- 255
CH-13	Dimmer adjust	Dimmer adjustment control	0 --- 255
CH-14	Pan	Pan control	0 --- 255
CH-15	Pan adjustment	Pan adjustment control	0 --- 255

CH-16	Tilt	Tilt control	0 --- 255
CH-17	Tilt adjustment	Tilt adjustment control	0 --- 255
CH-18	Dimming Mode	Mode -1	0 --- 49
		Mode -2	50 --- 99
CH-18	Dimming Mode	Mode -3	100---149
		Mode -4	150---255
CH-19	Reset	NO	0-250
		Reset within 5s	251---255
CH-20	Zoom	Zoom	0-255
CH-21	Lens rotation	0~60°	0-155
		Clockwise infinite rotation	156-205
		Counterclockwise rotation	206-255
CH-22	Pattern rotation	NO	0--9
		Monochrome dynamic pattern 1	10--14
		Monochrome dynamic pattern 2	15--19
	(5 numbers 1 pattern)
		Monochrome pattern 30	155--159
		Mixed color dynamic pattern 1	160--164
		Mixed color dynamic pattern 2	165--169

	(5 numbers 1 pattern)
		Mixed color dynamic pattern 13	220--224
		Mixed color dynamic pattern 14	225--255
CH-23	Pattern effect speed	NO	0--9
		Forward, from fast to slow(with 22CH)	10--132
		Reverse, from slow to fast(with 22CH)	133--255
CH-24	Pattern effect fade	Pattern effect fade	0-255
CH-25	Pattern Back R	Pattern effect R	0-255
CH-26	Pattern Back G	Pattern effect G	0-255
CH-27	Pattern Back B	Pattern effect B	0-255
CH-28	Pattern Back W	Pattern effect W	0-255
CH-29	Pattern dimming	Pattern 0-100% dimming	0-255
CH-30	Background dimming	Background 0-100% dimming	0-255
CH-31	Pattern change	Pattern change control	0-255
CH-32	Pattern movement	Pattern movement(with 22CH)	0-255
CH-33	Prospects strobe	Prospects strobe	0-255
CH-34	Background strobe	Background strobe	0-255

CH-35	Background pattern selection	Background selection	0-255
-------	------------------------------	----------------------	-------

Model 4 - CH78

Channel	Display	Function	Value
CH-1	Red	Red dimming	0 --- 255
CH-2	Red adjustment	Red adjustment	0 --- 255
CH-3	Green	Green dimming	0 --- 255
CH-4	Green adjustment	Green adjustment	0 --- 255
CH-5	Blue	Blue dimming	0 --- 255
CH-6	Blue adjustment	Blue dimming	0 --- 255
CH-7	White	White dimming	0 --- 255
CH-8	White adjustment	White adjustment	0 --- 255
CH-9	Color temperature	No	0 ---15
		R100%,G UP,B0%	16---35
		R DOWM,G100%,B0%	36---55
		R0%,G100%,B UP	56---75
		R0%,G DOWM,B100%	76---95

CH-9	Color temperature	R UP,G0%,B100%	96---115
		R100%,G0%,B DOWM	116--135
		R100%,G UP,B UP	136---155
		R DOWM,G DOWM, B 100%	156---175
		R100%G100%B100%W100%	176---195
		2800K	196---200
		3200K	201---205
		3500K	206---210
		4000K	211---215
		4500K	216---220
		5000K	221---225
		5500K	226--230
		6000K	231--235
		6500K	236--240
		7000K	241--245
		7500K	246--250
		8000K	251--255
		No	0--9
		Macro color 1	10--19

CH-10	Macro color	Macro color 2	20--29
	
		Macro color 24	240--249
		Macro color 25	250--255
CH-11	Strobe	Turn on the light	0---3
		Synchro strobe speed slow to fast (1HZ-25HZ)	4---203
		Random strobe	204--255
CH-12	Dimmer	dark to bright linear dimming	0 --- 255
CH-13	Dimmer adjust	Dimmer adjustment control	0 --- 255
CH-14	Pan	Pan control	0 --- 255
CH-15	Pan adjustment	Pan adjustment control	0 --- 255
CH-16	Tilt	Tilt control	0 --- 255
CH-17	Tilt adjustment	Tilt adjustment control	0 --- 255
CH-18	Dimming Mode	Mode -1	0 --- 49
		Mode -2	50 --- 99
		Mode -3	100---149
		Mode -4	150---255
CH-19	Reset	NO	0-250
		Reset within 5s	251---255

CH-20	Zoom	Zoom	0-255
CH-21	Lens rotation	0~60°	0-155
		Clockwise infinite rotation	156-205
		Counterclockwise rotation	206-255
CH-22	R1 LED dimming	R1 LED dimming	0-255
CH-23	G1 LED dimming	G1 LED dimming	0-255
CH-24	B1 LED dimming	B1 LED dimming	0-255
CH-25	R2 LED dimming	R2 LED dimming	0-255
CH-26	G2 LED dimming	G2 LED dimming	0-255
CH-27	B2 LED dimming	B2 LED dimming	0-255
.....
CH-76	R19 LED dimming	R19 LED dimming	0-255
CH-77	G19LED dimming	G19LED dimming	0-255
CH-78	B19LED dimming	B19LED dimming	0-255

Model 5 - CH92

Channel	Display	Function	Value
CH-1	Red	Red dimming	0 --- 255
CH-2	Red adjustment	Red adjustment	0 --- 255

CH-3	Green	Green dimming	0 --- 255
CH-4	Green adjustment	Green adjustment	0 --- 255
CH-5	Blue	Blue dimming	0 --- 255
CH-6	Blue adjustment	Blue dimming	0 --- 255
CH-7	White	White dimming	0 --- 255
CH-8	White adjustment	White adjustment	0 --- 255
CH-9	Color temperature	No	0 ---15
		R100%,G UP,B0%	16---35
		R DOWM,G100%,B0%	36---55
		R0%,G100%,B UP	56---75
		R0%,G DOWM,B100%	76---95
		R UP,G0%,B100%	96---115
		R100%,G0%,B DOWM	116--135
		R100%,G UP,B UP	136---155
		R DOWM,G DOWM, B 100%	156---175
		R100%G100%B100%W100%	176---195

CH-9	Color temperature	2800K	196---200
		3200K	201---205
		3500K	206---210
		4000K	211---215
		4500K	216---220
		5000K	221---225
		5500K	226--230
		6000K	231--235
		6500K	236--240
		7000K	241--245
CH-10	Macro color	7500K	246--250
		8000K	251--255
		No	0--9
		Macro color 1	10--19
		Macro color 2	20--29
	(10 numbers 1 macro color)
CH-11	Strobe	Macro color 24	240--249
		Macro color 25	250--255
CH-11	Strobe	Turn on the light	0---3
		Synchro strobe speed	

		slow to fast (1HZ-25HZ)	4---203
		Random strobe	204--255
CH-12	Dimmer	dark to bright linear dimming	0 --- 255
CH-13	Dimmer adjust	Dimmer adjustment control	0 --- 255
CH-14	Pan	Pan control	0 --- 255
CH-15	Pan adjustment	Pan adjustment control	0 --- 255
CH-16	Tilt	Tilt control	0 --- 255
CH-17	Tilt adjustment	Tilt adjustment control	0 --- 255
CH-18	Dimming Mode	Mode -1	0 --- 49
		Mode -2	50 --- 99
		Mode -3	100---149
		Mode -4	150---255
CH-19	Reset	NO	0-250
		Reset within 5s	251---255
CH-20	Zoom	Zoom	0-255
CH-21	Lens rotation	0~60°	0-155
		Clockwise infinite rotation	156-205
		Counterclockwise rotation	206-255
		NO	0--9
		Monochrome dynamic pattern 1	10--14

CH-22	Pattern rotation	Monochrome dynamic pattern 2	15--19
	(5 numbers 1 pattern)
		Monochrome pattern 30	155--159
		Mixed color dynamic pattern 1	160--164
		Mixed color dynamic pattern 2	165--169
	(5 numbers 1 pattern)
CH-22	Pattern rotation	Mixed color dynamic pattern 13	220--224
		Mixed color dynamic pattern 14	225--255
CH-23	Pattern effect speed	NO	0--9
		Forward, from fast to slow(with 22CH)	10--132
CH-23	Pattern effect speed	Reverse, from slow to fast(with 22CH)	133--255
CH-24	Pattern effect fade	Pattern effect fade	0-255
CH-25	Pattern Back R	Pattern effect R	0-255
CH-26	Pattern Back G	Pattern effect G	0-255
CH-27	Pattern Back B	Pattern effect B	0-255
CH-28	Pattern Back W	Pattern effect W	0-255
CH-29	Pattern dimming	Pattern 0-100% dimming	0-255

CH-30	Back Dimming	Background 0-100% dimming	0-255
CH-31	Pattern change	Pattern change control	0-255
CH-32	Pattern movement	Pattern movement(with 22CH)	0-255
CH-33	Prospects strobe	Prospects strobe	0-255
CH-34	Background strobe	Background strobe	0-255
CH-35	Background pattern selection	Background selection	0-255
CH-36	LED1 R	LED1 R dimming	0-255
CH-37	LED1 G	LED1 G dimming	0-255
CH-38	LED1 B	LED1 B dimming	0-255
.....
CH-90	LED19 R	LED 19 R dimming	0-255
CH-91	LED19 G	LED19 G dimming	0-255
CH-92	LED19 B	LED 19 B dimming	0-255

Model 6 - CH97

Channel	Display	Function	Value
CH-1	Red	Red dimming	0 --- 255
CH-2	Red adjustment	Red adjustment	0 --- 255
CH-3	Green	Green dimming	0 --- 255
CH-4	Green adjustment	Green adjustment	0 --- 255

CH-5	Blue	Blue dimming	0 --- 255
CH-6	Blue adjustment	Blue dimming	0 --- 255
CH-7	White	White dimming	0 --- 255
CH-8	White adjustment	White adjustment	0 --- 255
CH-9	Color temperature	No	0 ---15
		R100%,G UP,B0%	16---35
		R DOWM,G100%,B0%	36---55
		R0%,G100%,B UP	56---75
		R0%,G DOWM,B100%	76---95
		R UP,G0%,B100%	96---115
		R100%,G0%,B DOWM	116--135
		R100%,G UP,B UP	136---155
		R DOWM,G DOWM, B 100%	156---175
		R100%G100%B100%W100%	176---195
		2800K	196---200
		3200K	201---205
		3500K	206---210
4000K	211---215		

CH-9	Color temperature	4500K	216---220
		5000K	221---225
		5500K	226--230
		6000K	231--235
		6500K	236--240
		7000K	241--245
		7500K	246--250
		8000K	251--255
CH-10	Macro color	No	0--9
		Macro color 1	10--19
		Macro color 2	20--29
	(10 numbers 1 macro color)
		Macro color 24	240--249
		Macro color 25	250--255
CH-11	Strobe	Turn on the light	0---3
		Synchro strobe speed slow to fast (1HZ-25HZ)	4---203
		Random strobe	204--255
CH-12	Dimmer	dark to bright linear dimming	0 --- 255
CH-13	Dimmer adjust	Dimmer adjustment control	0 --- 255

CH-14	Pan	Pan control	0 --- 255
CH-15	Pan adjustment	Pan adjustment control	0 --- 255
CH-16	Tilt	Tilt control	0 --- 255
CH-17	Tilt adjustment	Tilt adjustment control	0 --- 255
CH-18	Dimming Mode	Mode -1	0 --- 49
		Mode -2	50 --- 99
CH-18	Dimming Mode	Mode -3	100---149
		Mode -4	150---255
		NO	0-250
CH-19	Reset	Reset within 5s	251---255
CH-20	Zoom	Zoom	0-255
		0~60°	0-155
CH-21	Lens rotation	Clockwise infinite rotation	156-205
		Counterclockwise rotation	206-255
CH-22	R1 LED dimming	R1 LED dimming	0-255
CH-23	G1 LED dimming	G1 LED dimming	0-255
CH-24	B1 LED dimming	B1 LED dimming	0-255
CH-25	W1 LED dimming	W1 LED dimming	0-255
.....
CH-94	R19 LED dimming	R19 LED dimming	0-255

CH-95	G19LED dimming	G19 LED dimming	0-255
CH-96	B19LED dimming	B19 LED dimming	0-255
CH-97	W19LED dimming	W19 LED dimming	0-255

Model 7 - CH99

Channel	Display	Function	Value
CH-1	Pan	0-540°	0 --- 255
CH-2	Pan adjustment	16bit adjustment	0 --- 255
CH-3	Tilt	0-205°	0 --- 255
CH-4	Tilt adjustment	16bit adjustment	0 --- 255
CH-5	XY speed	Speed from fast to slow	0 --- 255
CH-6	Zoom	Angle from small to large	0 --- 255
CH-7	Lens rotation	0~60°	0-155
		Clockwise infinite rotation from fast to slow	156-205
		Counterclockwise rotation from slow to fast	206-255
CH-8	Dimmer	dark to bright linear dimming	0 --- 255
		Turn on the light	0---3

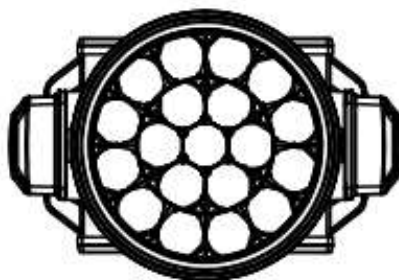
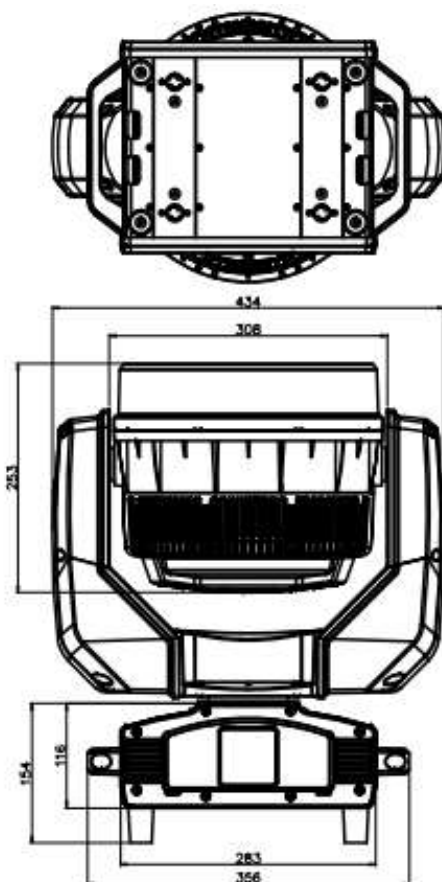
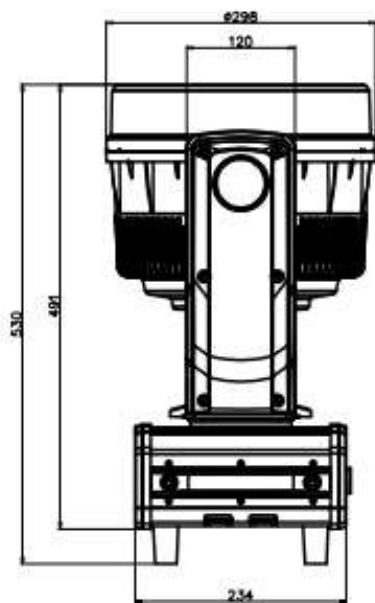
CH-9	Strobe	Synchro strobe speed From slow to fast (1HZ-25HZ)	4---203
		Random strobe	204--255
CH-10	R dimming	dark to bright linear dimming	0-255
CH-11	G dimming	dark to bright linear dimming	0-255
CH-12	B dimming	dark to bright linear dimming	0-255
CH-13	W dimming	dark to bright linear dimming	0-255
CH-14	Color temperature	No	0 ---15
		R100%,G UP,B0%	16---35
		R DOWM,G100%,B0%	36---55
		R0%,G100%,B UP	56---75
		R0%,G DOWM,B100%	76---95
		R UP,G0%,B100%	96---115
		R100%,G0%,B DOWM	116---135
		R100%,G UP,B UP	136---155
		R down,G down, B 100%	156---175
		R100%,G100%,B100%,W100%	176---195

CH-14	Color temperature	2800K	196---200
		3200K	201---205
		3500K	206---210
		4000K	211---215
		4500K	216---220
		5000K	221---225
		5500K	226--230
		6000K	231--235
		6500K	236--240
		7000K	241--245
		7500K	246--250
		8000K	251--255
CH-15	Macro color	No	0--9
		Macro color 1	10--19
		Macro color 2	20--29
	(10 numbers 1 macro color)
		Macro color 24	240--249
		Macro color 25	250--255
		No	0--9
		Monochrome pattern 1	10--12

CH-16	Static pattern	Monochrome pattern 2	13--15
	(3 numbers 1 pattern)
		Monochrome pattern 67	208--210
		Mixed color pattern 1	211--213
		Mixed color pattern 2	214--216
CH-16	Static pattern(3 numbers 1 pattern)
		Mixed color pattern 14	250--252
		Mixed color pattern 15	253--255
CH-17	Dynamic pattern	NO	0--9
		Monochrome dynamic pattern 1	10--14
		Monochrome dynamic pattern 2	15--19
	(5 numbers 1 pattern)
		Monochrome pattern 30	155--159
		Mixed color dynamic pattern 1	160--164
		Mixed color dynamic pattern 2	165--169
	(5 numbers 1 pattern)
		Mixed color dynamic pattern 13	220--224
		Mixed color dynamic pattern 14	225--255
CH-18	Dynamic pattern speed	Forward, from fast to slow (with 17CH)	0--127
		Reverse, from slow to fast(with	128--255

		17CH)	
CH-19	Back color R	dark to bright linear dimming	0-255
CH-20	Back color G	dark to bright linear dimming	0-255
CH-21	Back color B	dark to bright linear dimming	0-255
CH-22	Back color W	dark to bright linear dimming	0-255
CH-23	Reset	NO	0-250
		Reset within 5s	250-255
CH-24	R1 LED dimmer	R1 LED dimming	0-255
CH-25	G1LED dimmer	G1 LED dimming	0-255
CH-26	B1 LED dimmer	B1 LED dimming	0-255
CH-27	W1LED dimmer	W1 LED dimming	0-255
.....
CH-96	R19 LED dimmer	R19 LED dimming	0-255
CH-97	G19 LED dimmer	G19 LED dimming	0-255
CH-98	B19 LED dimmer	B19 LED dimming	0-255
CH-99	W19 LED dimmer	W19 LED dimming	0-255

6. Shape



7. Trouble shooting

Following are a few common problems that may occur during operation. Here are some suggestions for easy troubleshooting:

A. The unit does not work, no light and the fan does not work

1. Check the connection of power and main fuse.
2. Measure the mains voltage on the main connector.
3. Check the power on LED.

B. Not responding to DMX controller

1. DMX LED should be on. If not, check DMX connectors, cables to see if link properly.
2. If the DMX LED is on and no response to the channel, check the address settings and DMX polarity.
3. If you have intermittent DMX signal problems, check the pins on connectors or on PCB of the unit or the previous one.
4. Try to use another DMX controller.
5. Check if the DMX cables run near or run alongside to high voltage cables that may cause damage or interference to DMX interface circuit.

C. One of the channels is not working well

1. The stepper motor might be damaged or the cable connected to the PCB is broken.
2. The motor's drive IC on the PCB might be out of condition.

8. Fixture Cleaning

The cleaning of internal and external optical lenses and/or mirrors must be carried out periodically to optimize light output. Cleaning frequency depends on the environment in which the fixture operates: damp, smoky or particularly dirty surrounding can cause greater accumulation of dirt on the unit's optics.

- **Clean with soft cloth using normal glass cleaning fluid.**
- **Always dry the parts carefully.**
- **Clean the external optics at least every 20 days. Clean the internal optics at least every 30/60 days.**